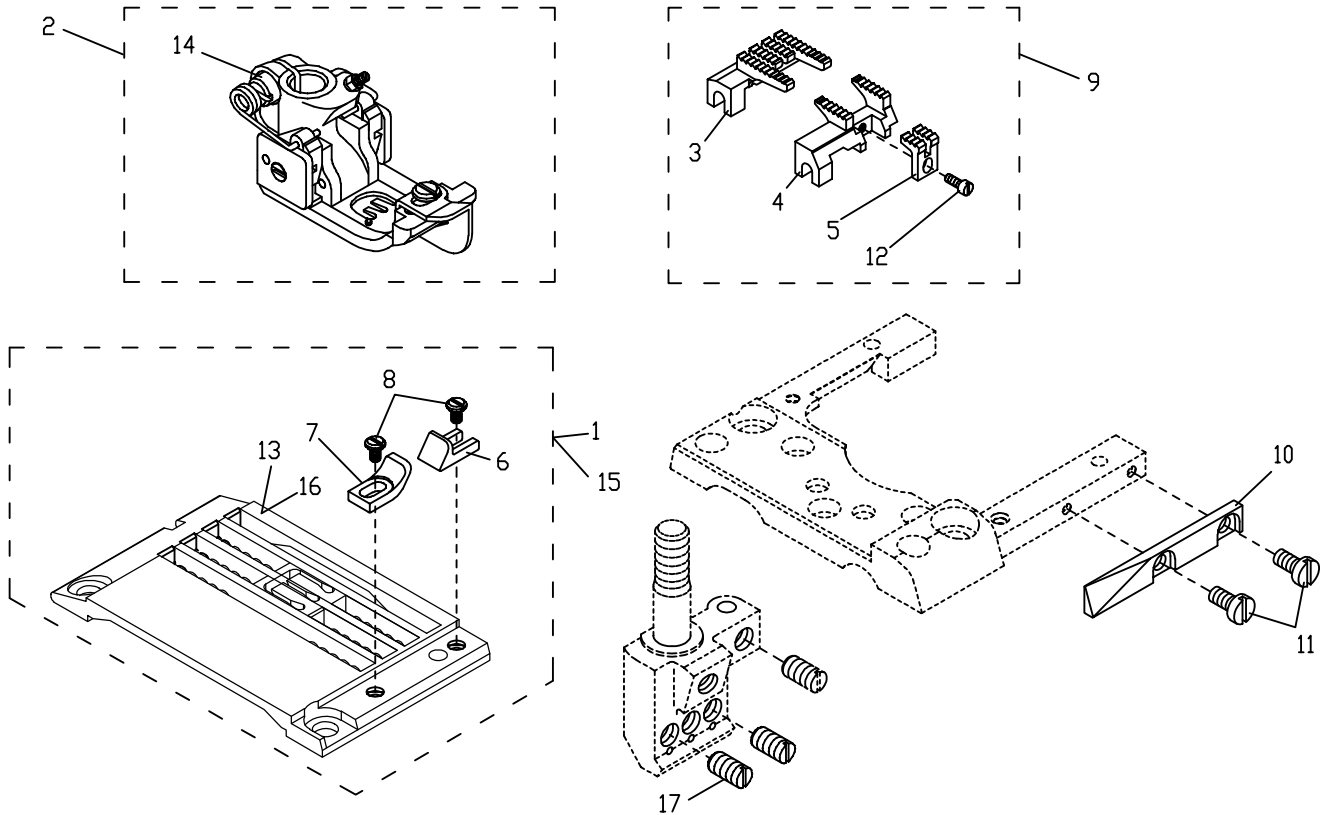


1. CT9713 - 0 / CTD9713-0 / CXD2713 - 0 包縫骨壓縫用零件列表

Parts List For CT9713 - 0 / CTD9713-0 / CXD2713 - 0 Overlock Seam Covering



序號 Ref.No.	名稱 Description	針數 Number Of Needle / 針距 Distance Of Needles			
		2 Needle/4.0	3 Needle/4.8	3 Needle/5.6	3 Needle/6.4
1	針板組 Needle Plate Asm.	5226TP13404	5226TP13484	5226TP13564	5226TP13644
2	壓腳組 Presser Foot Asm.	5220PF00404	5220PF00485	5220PF00564	5220PF00644
3	主送布齒 Main Feed Dog	5226FD11481	5226FD11481	5226FD11561	5226FD11561
4	副送布齒 Diff Feed Dog	5226DF13481	5226DF13481	5226DF13560	5226DF13560
5	輔助送布齒 Aux Feed Dog	5226AF13480	5226AF13480	5226AF13560	5226AF13560
9	送布齒組 Feed Dog Asm.	5226DG0012	5226DG0012	5226DG0009	5226DG0009
13	針板 Needle Plate	5226TP13404A	5226TP13484A	5226TP13564A	5226TP13644A
*15	針板組 Needle Plate Asm.	5226TP13407	5226TP13487	5226TP13567	5226TP13647
*16	針板 Needle Plate	5226TP13407A	5226TP13487A	5226TP13567A	5226TP13647A
©18	針板組 Needle Plate Asm.	/		5226TP13568	5226TP13648
©19	針板 Needle Plate	/		5226TP13568A	5226TP13648A
△20	針板組 Needle Plate Asm.	5226TP13409	5226TP13489	5226TP13569	5226TP13649
△21	針板 Needle Plate	5226TP13409A	5226TP13489A	5226TP13569A	5226TP13649A

17. 螺絲用量列表 Screw Req.

	針數 Number Of Needle / 針距 Distance Of Needles			
	2 Needle / 4.0	3 Needle / 4.8	3 Needle / 5.6	3 Needle / 6.4
物料編號 Parts No.	8SH32440300A (SH0465 1/8"-44*2.5)	8SG24560300A (FT60-01-30 3/32"-56*2.3)	8SH32440300A (SH0465 1/8"-44*2.5)	
單位用量 Amt. Req.	2	3		

1. CT9713-0 / CTD9713-0 / CXD2713 - 0 包縫骨壓縫用零件列表

Parts List For CT9713-0 / CTD9713-0 / CXD2713 - 0 Overlock Seam Covering

序號 Ref.No.	物料編號 Parts No.	名稱 Description	單位用量 Amt. Req.
1	-----	針鉸組 Needle Plate Asm. (See left page) -----	1
2	-----	壓腳組 Presser Foot Asm. (See left page) -----	1
3	-----	主送布齒 Main Feed Dog (See left page) -----	1
4	-----	副送布齒 Diff Feed Dog (See left page) -----	1
5	-----	輔助送布齒 Aux Feed Dog (See left page) -----	1
6	2260130106	右導模 Fabric Guide (R)-----	1
7	2260130107	左導模 Fabric Guide (L)-----	1
8	8SB24560405A	螺絲 Screw (SH0413 3/32"-56*4) -----	2
9	-----	送布齒組 Feed Dog Asm. (See Left Page)-----	1
10	2260000211	擋片 Gefender -----	1
11	8MB75180505A	螺絲 Screw (CTS0218 M2.5-0.45*5) -----	2
12	8MB75180505A	螺絲 Screw (CTS0218 M2.5-0.45*5) -----	1
13	-----	針鉸 Needle Plate (See Left page) -----	1
14	5220PF0356M	螺絲 Screw (M3.5-0.6*8)-----	1
* 15	-----	針鉸組 Needle Plate Asm. (See left page) -----	1
* 16	-----	針鉸 Needle Plate (See Left page) -----	1
17	-----	螺絲 Screw (See left page) -----	-
◎ 18	-----	針鉸組 Needle Plate Asm. (See left page) -----	1
◎ 19	-----	針鉸 Needle Plate (See Left page) -----	1
△ 20	-----	針鉸組 Needle Plate Asm. (See left page) -----	1
△ 21	-----	針鉸 Needle Plate (See Left page) -----	1

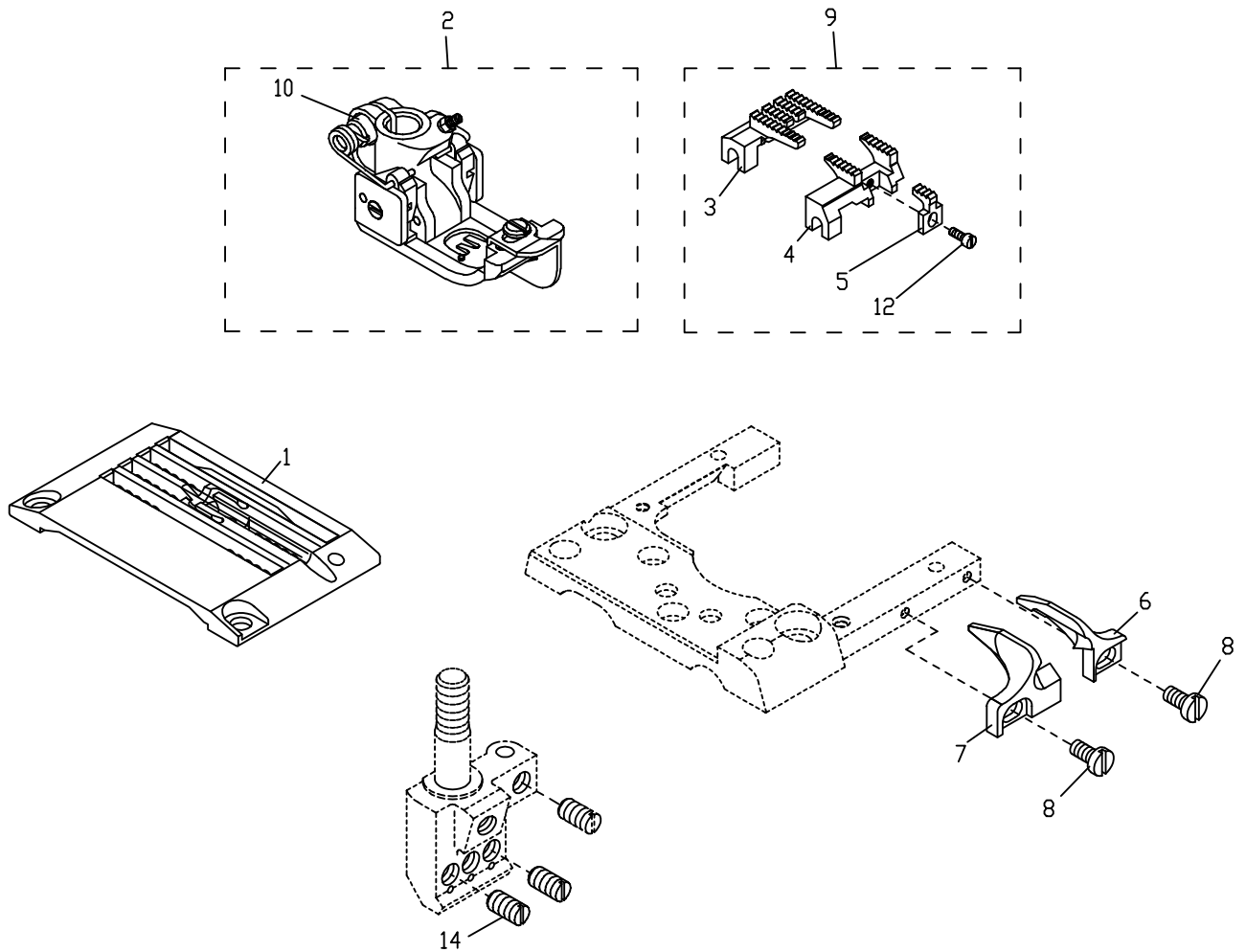
* CT9713-0-L / CT9713-0-X / CTD9713-0-L / CTD9713-0-X / CXD2713-0-L / CXD9713-0-X 機型用

◎ CT9713-0-H / CTD9713-0-H / CXD2713-0-H 機型用

△ CT9713-0-L1 / CTD9713-0-L1 / CXD2713-0-L1 機型用

2. CT9713 - 1 / CTD9713-1 / CXD2713 - 1 包縫骨壓縫用零件列表

Parts List For CT9713 - 1 / CTD9713-1 / CXD2713 - 1 Overlock Seam Covering



序號 Ref.No.	名稱 Description	針數 Number Of Needle / 針距 Distance Of Needles			
		2 Needle/4.0	3 Needle/ 4.8	3 Needle/5.6	3 Needle/6.4
1	針板 Needle Plate	5226TP13405	5226TP13485	5226TP13565	5226TP13645
2	壓腳組 Presser Foot Asm.	5220PF00404	5220PF00485	5220PF00564	5220PF00644
3	主送布齒 Main Feed Dog	5226FD11481	5226FD11481	5226FD11561	5226FD11561
4	副送布齒 Diff Feed Dog	5226DF13481	5226DF13481	5226DF13560	5226DF13560
5	輔助送布齒 Aux Feed Dog	5226AF13481	5226AF13481	5226AF13561	5226AF13561
9	送布齒組 Feed Dog Asm.	5226DG0010	5226DG0010	5226DG0011	5226DG0011

14. 螺絲用量列表 Screw Req.

	針數 Number Of Needle / 針距 Distance Of Needles			
	2 Needle / 4.0	3 Needle / 4.8	3 Needle / 5.6	3 Needle / 6.4
物料編號 Parts No.	8SH32440300A (SH0465 1/8"-44*2.5)	8SG24560300A (FT60-01-30 3/32"-56*2.3)	8SH32440300A (SH0465 1/8"-44*2.5)	
單位用量 Amt. Req.	2	3		

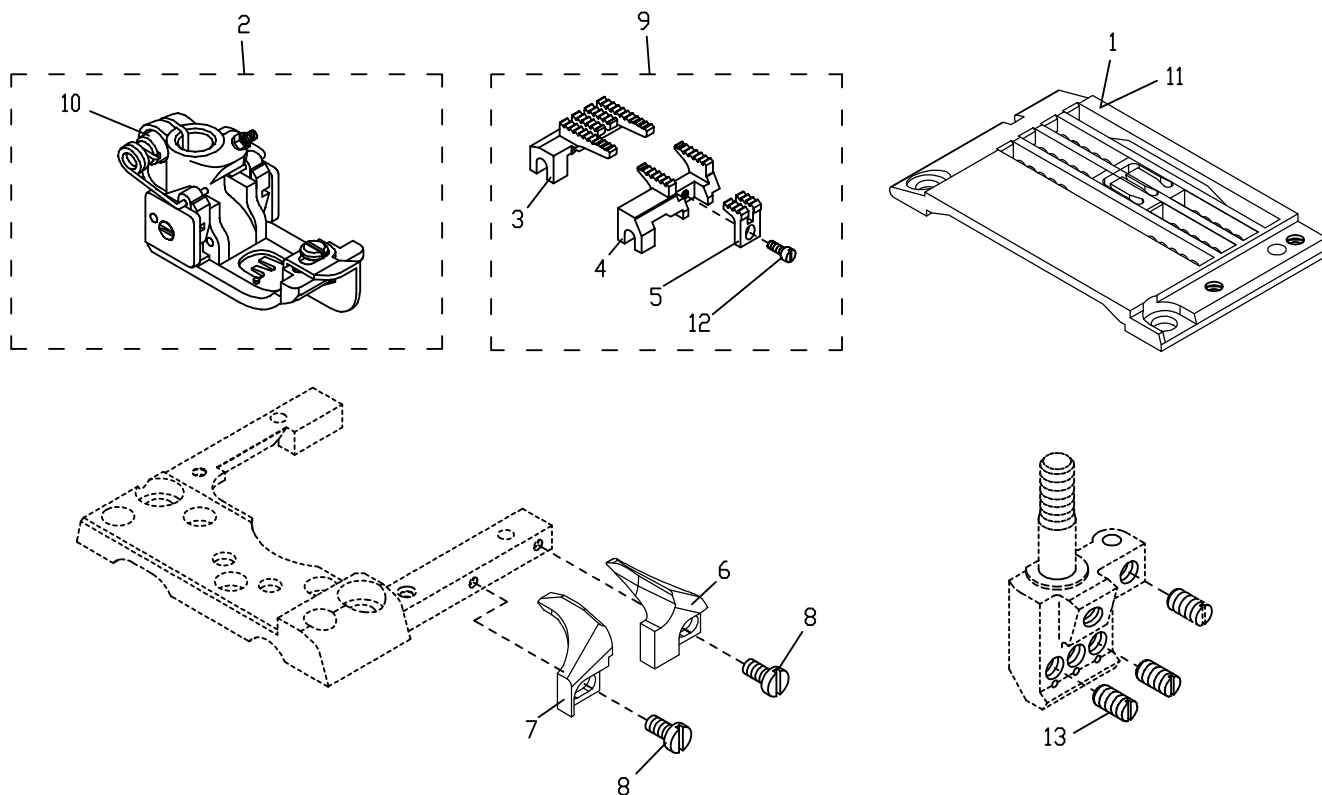
2. CT9713-1 / CTD9713-1 / CXD2713 - 1 包縫骨壓縫用零件列表

Parts List For CT9713-1 / CTD9713-1 / CXD2713 - 1 Overlock Seam Covering

序號 Ref.No.	物料編號 Parts No.	名稱 Description	單位用量 Amt. Req.
1	-----	針鉸組 Needle Plate Asm. (See left page) -----	1
2	-----	壓腳組 Presser Foot Asm. (See left page) -----	1
3	-----	主送布齒 Main Feed Dog (See left page) -----	1
4	-----	副送布齒 Diff Feed Dog (See left page) -----	1
5	-----	輔助送布齒 Aux Feed Dog (See left page) -----	1
6	2260130206	右導模 Fabric Guide (R)-----	1
7	2260130207	左導模 Fabric Guide (L)-----	1
8	8MB75180505A	螺絲 Screw (CTS0218 M2.5-0.45*5) -----	2
9	-----	送布齒組 Feed Dog Asm. (See Left Page)-----	1
10	5220PF0356M	螺絲 Screw (M3.5-0.6*8)-----	1
11	-----	-----	-
12	8MB75180505A	螺絲 Screw (CTS0218 M2.5-0.45*5) -----	1
13	-----	針鉸 Needle Plate (See Left page) -----	1
14	-----	螺絲 Screw (See left page) -----	-

3. CT9713 - 2 / CTD9713-2 / CXD2713 - 2 包縫骨壓縫用零件列表

Parts List For CT9713 - 2 / CTD9713-2 / CXD2713 - 2 Overlock Seam Covering



序號 Ref.No.	名稱 Description	針數 Number Of Needle / 針距 Distance Of Needles			
		2 Needle / 4.0	3 Needle / 4.8	3 Needle / 5.6	3 Needle / 6.4
1	針板 Needle Plate	5226TP13404A	5226TP13484A	5226TP13564A	5226TP13644A
2	壓腳組 Presser Foot Asm.	5220PF00404	5220PF00485	5220PF00564	5220PF00644
3	主送布齒 Main Feed Dog	5226FD11481	5226FD11481	5226FD11561	5226FD11561
4	副送布齒 Diff Feed Dog	5226DF13481	5226DF13481	5226DF13560	5226DF13560
5	輔助送布齒 Aux Feed Dog	5226AF13480	5226AF13480	5226AF13560	5226AF13560
9	送布齒組 Feed Dog Asm.	5226DG0012	5226DG0012	5226DG0009	5226DG0009
*11	針板 Needle Plate	5226TP13407A	5226TP13487A	5226TP13567A	5226TP13647A
◎14	針板 Needle Plate	/		5226TP13568A	5226TP13648A
△15	針板 Needle Plate	5226TP13409A	5226TP13489A	5226TP13569A	5226TP13649A

13. 螺絲用量列表 Screw Req.

	針數 Number Of Needle / 針距 Distance Of Needles			
	2 Needle / 4.0	3 Needle / 4.8	3 Needle / 5.6	3 Needle / 6.4
物料編號 Parts No.	8SH32440300A (SH0465 1/8"-44*2.5)	8SG24560300A (FT60-01-30 3/32"-56*2.3)	8SH32440300A (SH0465 1/8"-44*2.5)	
單位用量 Amt. Req.	2	3		

3. CT9713-2 / CTD9713-2 / CXD2713 - 2 包縫骨壓縫用零件列表

Parts List For CT9713-2 / CTD9713-2 / CXD2713 - 2 Overlock Seam Covering

序號 Ref.No.	物料編號 Parts No.	名稱 Description	單位用量 Amt. Req.
1	-----	針板 Needle Plate -----	1
2	-----	壓腳組 Presser Foot Asm. (See left page) -----	1
3	-----	主送布齒 Main Feed Dog (See left page) -----	1
4	-----	副送布齒 Diff Feed Dog (See left page) -----	1
5	-----	輔助送布齒 Aux Feed Dog (See left page) -----	1
6	2260130306	右導模 Fabric Guide (R)-----	1
7	2260130307	左導模 Fabric Guide (L)-----	1
8	8MB75180505A	螺絲 Screw (CTS0218 M2.5-0.45*5) -----	2
9	-----	送布齒組 Feed Dog Asm. (See Left Page)-----	1
10	5220PF0356M	螺絲 Screw (M3.5-0.6*8)-----	1
* 11	-----	針板 Needle Plate (See Left page) -----	1
12	8MB75180505A	螺絲 Screw (CTS0218 M2.5-0.45*5) -----	1
13	-----	螺絲 Screw (See left page) -----	-
◎ 14	-----	針板 Needle Plate (See Left page) -----	1
△ 15	-----	針板 Needle Plate (See Left page) -----	1

* CT9713-2-L / CT9713-2-X / CTD9713-2-L / CTD9713-2-X / CXD2713-2-L / CXD2713-2-X 機型用

◎ CT9713-2-H / CTD9713-2-H / CXD2713-2-H 機型用

△ CT9713-2-L1 / CTD9713-2-L1 / CXD2713-2-L1 機型用